



V200C



V300C



V300C-H

V200 / 300 Series

PN16 Zone Valve

2-port or 3-port internally threaded zone valves for on/off control

Application

The V200 / V300 series zone valve is used in heating, ventilating and air conditioning plants for control the flow of hot or chilled water.

Design Features

The V200 / 300 series zone valves are supplied complete with actuator, which can be easily installed. The valves are normally close types. Their bodies are made from forged brass and internally threaded. The housing and the cover are made of metal. A flap made of special rubber is used as the element to provides absolutely tight shut-off with 2 pieces of O-ring are used to seal the spindle. The motor opens the valve electrically and closed it by means of two return springs. The valves are provided also an auto/manual level, which allows manually, operated and valve position indicator.

Technical Data

Actuator

Operating voltage	See Summary of Types
Frequency	50/60 Hz
Power consumption	5 watts
Max. ambient temp.	43 °C

Valves

Nominal Pressure	PN16
Operating Pressure	Max. 1600 kPa (16 bar)
Material	

Valve body	Forged brass
Valve flap	NBR
Weight	See "Dimensions"

Operating Data

2-port zone valve

Type	DN inches	mm	Supply a.c.*	kvs (m3/h)	Δp_{vmax} (kPa)
V200C1500	1/2"	15	230V	2.5	175
V200C2000	3/4"	20	230V	2.5	175
V200C2500	1"	25	230V	6	80

3-port zone valve

Type	DN inches	mm	Supply a.c.*	kvs (m3/h)	Δp_{vmax} (kPa)
V300C1500	1/2"	15	230V	4.5	90
V300C2000	3/4"	20	230V	4.5	90
V300C2500	1"	25	230V	6	70

Other Options

- A 120 Vac Supply
- B 24 Vac Supply
- H 3-Port Horizontal Valve
- P Plastic Cover

* The voltage tolerance is $\pm 10\%$

ΔP_{vmax} , Max. permissible pressure differential

Ordering information

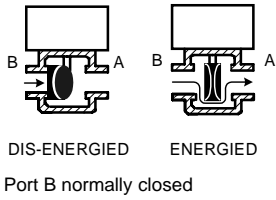
When ordering, please give designation and type reference, e.g.: V300C2000 – A/H (Zone valve).

Application guide

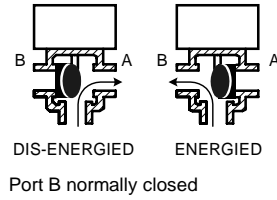
Install motor at any angle vertical to horizontal. Do not mount motor upside down.

The direction of flow must be observed with both two-port and three-port valves.

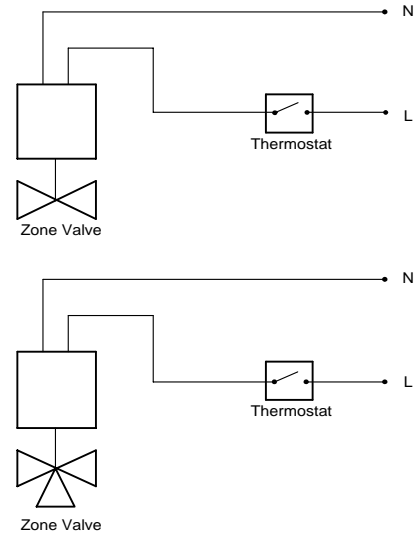
Two-port valves



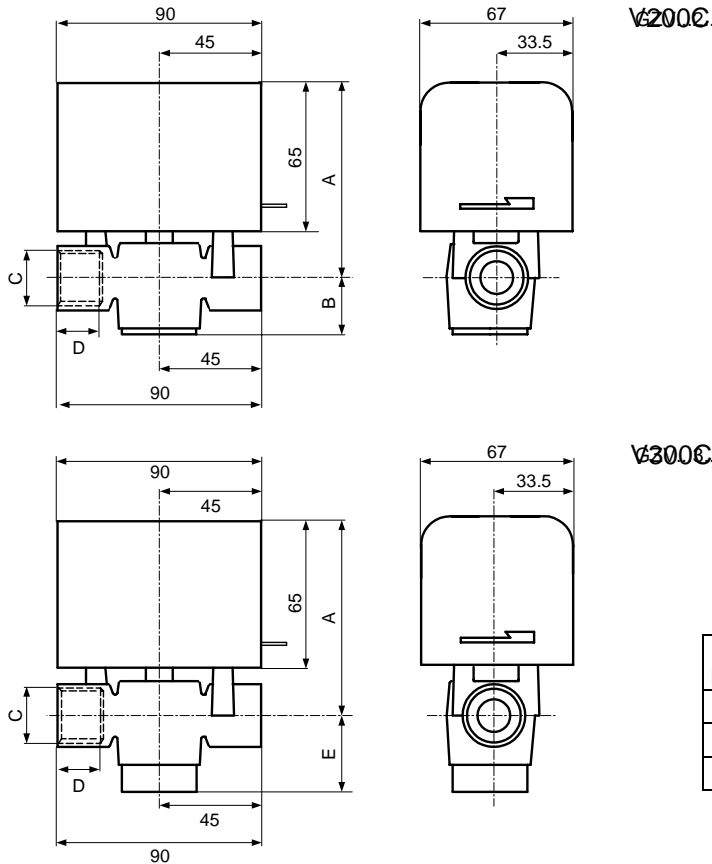
Three-port valves



Wiring Diagram



Dimensions



DN Inches mm	A	B	C	D	E	Weight Kgs
1/2" 15	86	23.5	R1/2"	15	33.5	1.1
3/4" 20	86	23.5	R3/4"	15	33.5	1.1
1" 25	86	25	R1"	17.5	36	1.2

The performances stated in this sheet can be modified without any notice.